

Product datasheet

Specifications



HART INTERFACE MODULE 4 CHANNEL

STBAHI8321KC

Price: 7,535.95 ZAR

Main

Range Of Product	Modicon STB distributed I/O solution
Product Or Component Type	HART interface kit
Kit Composition	STBXTS215018 terminal spring clamp connector STBAHI8321 module STBXBA3000 base

Complementary

Number Of Channels	4
Function Available	Hot swap Virtual placeholder I/O mapping
Program Characteristics	Floating points
[Us] Rated Supply Voltage	24 V
Voltage Range	19.2...30 V
Network Type	DC
Protection Type	Reverse polarity protection
Current Consumption	400 mA at 5.25 V DC for logic bus
Insulation Between Channels	> 30 Vdc
Type Of Filter	Passive 3 dB 25 Hz
Status Led	1 LED (green) module status (RDY) 1 LED (red) module error (ERR) 4 LEDs (green/red) channel status (CH1 to CH4)
Height	27.8 mm
Depth	75.5 mm
Width	128.3 mm
Net Weight	0.11 kg

Environment

Product Certifications	UL FM Class 1 Division 2 CSA
Marking	CE
Ambient Air Temperature For Operation	0...60 °C
Ambient Air Temperature For Storage	-40...85 °C
Relative Humidity	95 % without condensation

Excluding VAT and subject to change. Please check with your local distributor through "Where to buy"

Packing Units

Unit Type Of Package 1	PCE
Number Of Units In Package 1	1
Package 1 Height	3.600 cm
Package 1 Width	8.100 cm
Package 1 Length	13.200 cm
Package 1 Weight	167.000 g
Unit Type Of Package 2	S02
Number Of Units In Package 2	30
Package 2 Height	15.000 cm
Package 2 Width	30.000 cm
Package 2 Length	40.000 cm
Package 2 Weight	5.346 kg

Contractual warranty

Warranty	18 months
----------	-----------

Sustainability


Green Premium™ label is Schneider Electric's commitment to delivering products with best-in-class environmental performance. Green Premium promises compliance with the latest regulations, transparency on environmental impacts, as well as circular and low-CO₂ products.

Guide to assessing product sustainability is a white paper that clarifies global eco-label standards and how to interpret environmental declarations.

[Learn more about Green Premium >](#)

[Guide to assess a product's sustainability >](#)

Well-being performance

 Mercury Free

 Rohs Exemption Information [Yes](#)

Reach Regulation [REACH Declaration](#)

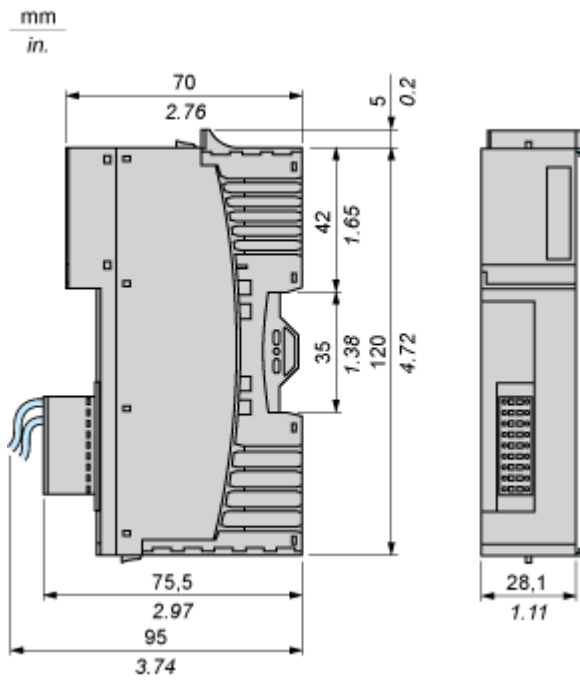
Eu Rohs Directive Pro-active compliance (Product out of EU RoHS legal scope)

China Rohs Regulation [China RoHS declaration](#)

Weee The product must be disposed on European Union markets following specific waste collection and never end up in rubbish bins

Dimensions Drawings

Dimensions



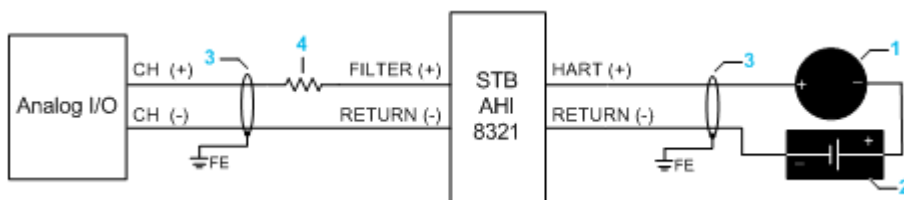
Connections and Schema

Wiring Diagram

Connection to the Removable Spring Type Terminals

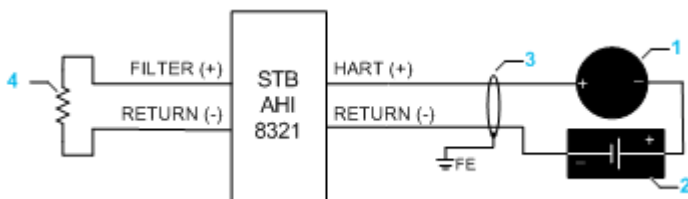
to Analog I/O	Pin		Pin	to HART instrument
FILTER_1 (+)	1		2	HART_1 (+)
RETURN_1 (-)	3		4	RETURN_1 (-)
FILTER_2 (+)	5		6	HART_2 (+)
RETURN_2 (-)	7		8	RETURN_2 (-)
FILTER_3 (+)	9		10	HART_3 (+)
RETURN_3 (-)	11		12	RETURN_3 (-)
FILTER_4 (+)	13		14	HART_4 (+)
RETURN_4 (-)	15		16	RETURN_4 (-)
Not Connected	17		18	Not Connected

Connection Using the HART Interface Module with I/O



- (1) HART field instrument
- (2) 24 Vdc external power supply.
- (3) FE ground connection
- (4) External resistor

Connection Using the HART Interface Module without I/O



- (1) HART field instrument

- (2) 24 Vdc external power supply.
- (3) FE ground connection
- (4) External resistor