

# Product datasheet

Specifications



## standard digital output kit STB - 24 V DC - 6 O

STBDRA3290K

**Price: 2,034.52 ZAR**

### Main

Range Of Product	Modicon STB distributed I/O solution
Product Or Component Type	Standard digital output kit
Kit Composition	STBXTS1100, 5-terminal screw type connector STBXBA2000 base STBXTS2110, 5-terminal spring clamp connector STBDRA3290 module
Discrete Output Number	2
Discrete Output Type	Relay
Discrete Output Function	1 NO + 1 NC
Discrete Output Voltage	24 V 115...230 V
Discrete Output Voltage Type	AC DC

### Complementary

Discrete Output Current	7000 mA
Discrete Output Logic	Positive or negative
Output Voltage	20...250 V AC 5...30 V DC
Response Time	10 ms off-to-on 10 ms on-to-off
Switching Capacity In Va	2100 VA resistive
Mechanical Durability	1000000 cycles
Electrical Durability	100000 cycles resistive
Cold Swapping	Yes
Hot Swapping	Yes for standard NIMs
Fallback	State 0 basic NIMs User configurable standard NIMs
Protection Type	Coil protection integrated fuse on PDM time lag 10 A Output surge protection GMOV
Insulation Between Channels	500 V for 1 minute
Insulation Between Channels And Logic Bus	1780 V for 1 minute
Insulation Between Logic Bus And Actuator Bus	1500 V for 1 minute
Surge Current	20 A 10 ms capacitive
Minimum Load	50 mA

Excluding VAT and subject to change. Please check with your local distributor through "Where to buy"

<b>Reset</b>	Manual reset COM fault
<b>Product Compatibility</b>	I/O base STBXBA3000 Power distribution module STBPDT3100/3105
<b>[Us] Rated Supply Voltage</b>	24 V DC
<b>Supply</b>	Power distribution module
<b>Current Consumption</b>	55 mA at 5 V DC for logic bus
<b>Marking</b>	CE
<b>Overvoltage Category</b>	II
<b>Status Led</b>	1 LED (green) module status (RDY) 1 LED per channel (green) channel status (OUT1 to OUT2) 1 LED (red) module error (ERR)
<b>Height</b>	28.1 mm
<b>Depth</b>	70 mm
<b>Width</b>	128.3 mm
<b>Net Weight</b>	0.13 kg

## Environment

<b>Standards</b>	IEC 61131-2
<b>Product Certifications</b>	FM Class 1 Division 2 UL CSA
<b>Pollution Degree</b>	2 conforming to IEC 60664-1
<b>Operating Altitude</b>	<= 2000 m
<b>Ip Degree Of Protection</b>	IP20 conforming to IEC 61131-2 class 1
<b>Ambient Air Temperature For Operation</b>	0...60 °C (without derating)
<b>Ambient Air Temperature For Operation</b>	32...140 °F without derating
<b>Ambient Air Temperature For Storage</b>	-40...85 °C without derating
<b>Ambient Air Temperature For Storage</b>	-40...185 °F without derating
<b>Relative Humidity</b>	95 % at 60 °C without condensation
<b>Vibration Resistance</b>	3 gn at 58...150 Hz on 35 x 7.5 mm symmetrical DIN rail 5 gn at 58...150 Hz on 35 x 15 mm symmetrical DIN rail +/-0.35 mm at 10...58 Hz
<b>Shock Resistance</b>	30 gn for 11 ms conforming to IEC 88 reference 2-27

## Packing Units

<b>Unit Type Of Package 1</b>	PCE
<b>Number Of Units In Package 1</b>	1
<b>Package 1 Height</b>	4.0 cm
<b>Package 1 Width</b>	7.5 cm
<b>Package 1 Length</b>	13.0 cm
<b>Package 1 Weight</b>	197.0 g
<b>Unit Type Of Package 2</b>	S02
<b>Number Of Units In Package 2</b>	20
<b>Package 2 Height</b>	15.0 cm

Package 2 Width	30.0 cm
Package 2 Length	40.0 cm
Package 2 Weight	4.366 kg
Unit Type Of Package 3	PAL
Number Of Units In Package 3	320
Package 3 Height	60.0 cm
Package 3 Width	80.0 cm
Package 3 Length	320.0 cm
Package 3 Weight	63.04 kg

## Contractual warranty

Warranty	18 months
----------	-----------

## Sustainability


**Green Premium™ label** is Schneider Electric's commitment to delivering products with best-in-class environmental performance. Green Premium promises compliance with the latest regulations, transparency on environmental impacts, as well as circular and low-CO<sub>2</sub> products.

**Guide to assessing product sustainability** is a white paper that clarifies global eco-label standards and how to interpret environmental declarations.


[Learn more about Green Premium >](#)

[Guide to assess a product's sustainability >](#)

## Well-being performance

 Mercury Free

---

 Rohs Exemption Information [Yes](#)

---

**Reach Regulation** [REACH Declaration](#)

---

**Eu Rohs Directive** Pro-active compliance (Product out of EU RoHS legal scope)

---

**China Rohs Regulation** [China RoHS declaration](#)

---

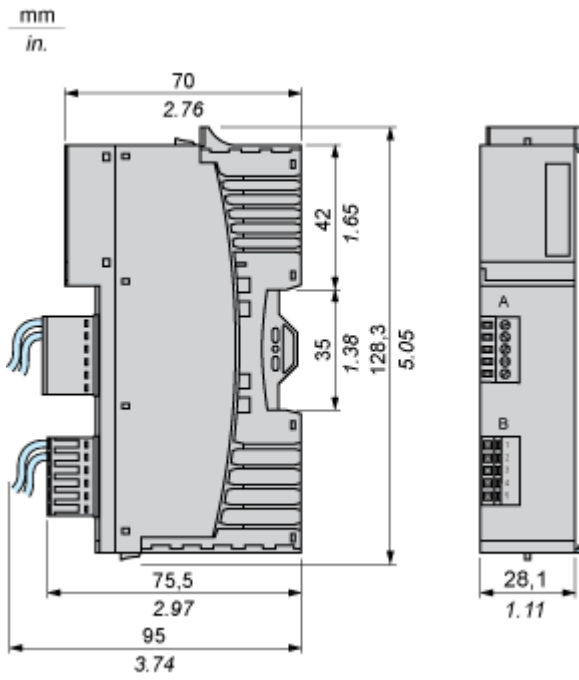
**Weee** The product must be disposed on European Union markets following specific waste collection and never end up in rubbish bins

---

Dimensions Drawings

Dimensions

---

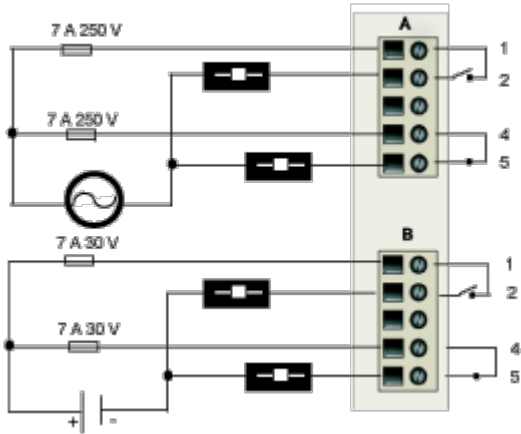


Connections and Schema

Wiring Diagram

Example

4 two-wire actuators



Pin	Top Connector	Bottom Connector
1	N.O. connection for relay 1	N.O. connection for relay 2
2	N.O. connection for relay 1	N.O. connection for relay 2
3	no connection	no connection
4	N.C. connection for relay 1	N.C. connection for relay 2
5	N.C. connection for relay 1	N.C. connection for relay 2