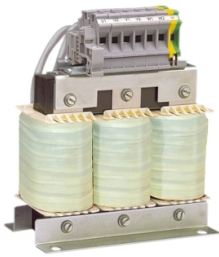


Product datasheet

Specifications



motor choke - 481 A - for variable speed drive Altivar - IP00

VW3A5106

Price: 48,826.83 ZAR

Main

Product Or Component Type	Motor choke
Range Compatibility	Altivar 61 Altivar 71 Altivar Process ATV600 Altivar 61Q Altivar Process ATV900 Altivar 71Q
Product Specific Application	Output filter
[In] Rated Current	481 A
Product Compatibility	ATV61HC16N4 ATV61HC22N4 ATV61HC31Y ATV61HC40Y ATV61HD90M3X ATV61QC20N4 ATV61QC25N4 ATV61QC25Y ATV61QC31Y ATV71HC16N4 ATV71HC20N4 ATV71HC25N4 ATV71HC25Y ATV71HC31Y ATV71QC16N4 ATV71QC20N4 ATV71QC20Y ATV71QC25Y ATV630 variable speed drive wall mount - 220 kW, 380...480 V ATV930 variable speed drive wall mount - 220 kW, 380...480 V
Needed Quantity	3
Electrical Connection	Tag connector 2 x M12

Complementary

Maximum Motor Cable Length	250 m shielded cable P motor 90 kW at 200...240 V 300 m unshielded cable P motor 90 kW at 200...240 V 250 m shielded cable P motor 160...220 kW at 380...480 V 1 300 m unshielded cable P motor 160...220 kW at 380...480 V 1 150 m shielded cable P motor 250...400 kW at 500...690 V 1 250 m unshielded cable P motor 250...400 kW at 500...690 V 1 250 m shielded cable P motor 250...400 kW at 500...690 V 2 400 m unshielded cable P motor 250...400 kW at 500...690 V 2
Dv/Dt	500 V/μs max at 400 V 750 V/μs max at 500 V 1000 V/μs max at 690 V
Thermal Losses	530 W
Maximum Drive Output Frequency	100 Hz
Ambient Air Temperature For Operation	-10...50 °C

Excluding VAT and subject to change. Please check with your local distributor through "Where to buy"

Net Weight	58 kg
------------	-------

Environment

Ip Degree Of Protection	IP20 (with kits VW3A9612,613) IP00
-------------------------	---------------------------------------

Ambient Air Temperature For Storage	-25...70 °C
-------------------------------------	-------------

Packing Units

Unit Type Of Package 1	PCE
------------------------	-----

Number Of Units In Package 1	1
------------------------------	---

Package 1 Height	58.000 cm
------------------	-----------

Package 1 Width	60.000 cm
-----------------	-----------

Package 1 Length	80.000 cm
------------------	-----------

Package 1 Weight	31.500 kg
------------------	-----------

Contractual warranty

Warranty	18 months
----------	-----------

Sustainability

Green Premium™ label is Schneider Electric's commitment to delivering products with best-in-class environmental performance. Green Premium promises compliance with the latest regulations, transparency on environmental impacts, as well as circular and low-CO₂ products.

Guide to assessing product sustainability is a white paper that clarifies global eco-label standards and how to interpret environmental declarations.

[Learn more about Green Premium >](#)

[Guide to assess a product's sustainability >](#)

Well-being performance

✓ Reach Free Of Svhc

✓ Toxic Heavy Metal Free

✓ Mercury Free

✓ Rohs Exemption Information [Yes](#)

Reach Regulation [REACH Declaration](#)

Eu Rohs Directive Pro-active compliance (Product out of EU RoHS legal scope)
[EU RoHS Declaration](#)

China Rohs Regulation [China RoHS declaration](#)

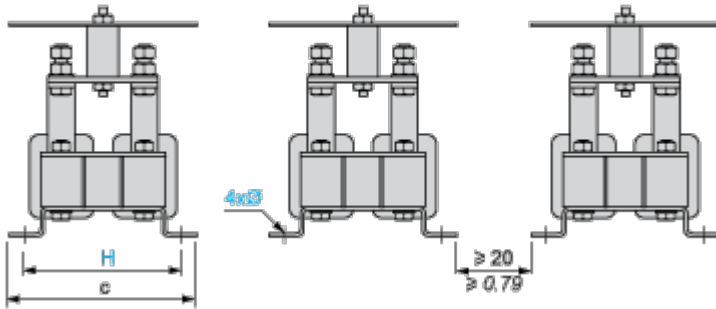
Dimensions Drawings

Dimensions

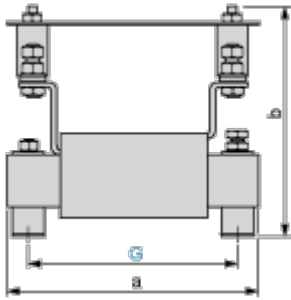
Front View

The choke comprise 3 components

mm
in.



Right View

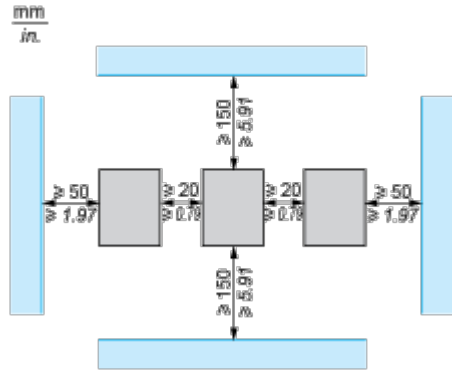


a	b	c	G	H	Ø
245	250	200	225	175	9 x 13
9.65	9.84	7.87	8.86	6.89	0.35 x 0.51

Mounting and Clearance

Mounting Recommendations

Horizontal mounting



Vertical mounting

