

Product datasheet

Specifications



Harmony XALE. Empty control station. plastic. light grey. 2 cut-outs. for XB7

XALE2

Price: 310.32 ZAR

Main

Range Of Product	Harmony XALE
Product Or Component Type	Empty control station
Device Short Name	XALE
Product Destination	For XB7 Ø 22 mm control and signalling units
Number Of Cut-Out	2 cut-outs
Colour Of Base Of Enclosure	Light grey (RAL 7035)
Colour Of Cover	Light grey (RAL 7035)
Material	ABS (acrylonitrile butadiene-styrene)
Cable Entry	2 knock-outs, clamping capacity: 20 mm 6 knock-outs for ISO M20
Sale Per Indivisible Quantity	5
Ip Degree Of Protection	IP54 conforming to IEC 60529

Complementary

Assembly Style	For customer assembly
Net Weight	0.1 kg
Marking	CE

Environment

Protective Treatment	TC
Ambient Air Temperature For Storage	-40...70 °C
Ambient Air Temperature For Operation	-25...55 °C
Electrical Shock Protection Class	Class II conforming to IEC 60536
Ik Degree Of Protection	IK05 conforming to IEC 62262
Standards	IEC 60947-1 IEC 60947-5-1 IEC 62208 IEC 60947-5-5

Packing Units

Unit Type Of Package 1	PCE
Number Of Units In Package 1	1
Package 1 Height	9.500 cm
Package 1 Width	7.500 cm

Excluding VAT and subject to change. Please check with your local distributor through "Where to buy"

Package 1 Length	15.000 cm
Package 1 Weight	111.000 g
Unit Type Of Package 2	BB1
Number Of Units In Package 2	5
Package 2 Height	8.300 cm
Package 2 Width	12.500 cm
Package 2 Length	33.300 cm
Package 2 Weight	546.000 g
Unit Type Of Package 3	S03
Number Of Units In Package 3	30
Package 3 Height	30.000 cm
Package 3 Width	30.000 cm
Package 3 Length	40.000 cm
Package 3 Weight	3.721 kg

Contractual warranty

Warranty	18 months
-----------------	-----------

Sustainability

Green Premium™ label is Schneider Electric's commitment to delivering products with best-in-class environmental performance. Green Premium promises compliance with the latest regulations, transparency on environmental impacts, as well as circular and low-CO₂ products.

Guide to assessing product sustainability is a white paper that clarifies global eco-label standards and how to interpret environmental declarations.

[Learn more about Green Premium >](#)

[Guide to assess a product's sustainability >](#)



Transparency RoHS/REACH

Well-being performance

Reach Free Of Svhc

Toxic Heavy Metal Free

Mercury Free

Rohs Exemption Information Yes

Certifications & Standards

Reach Regulation [REACH Declaration](#)

Eu Rohs Directive Pro-active compliance (Product out of EU RoHS legal scope)
[EU RoHS Declaration](#)

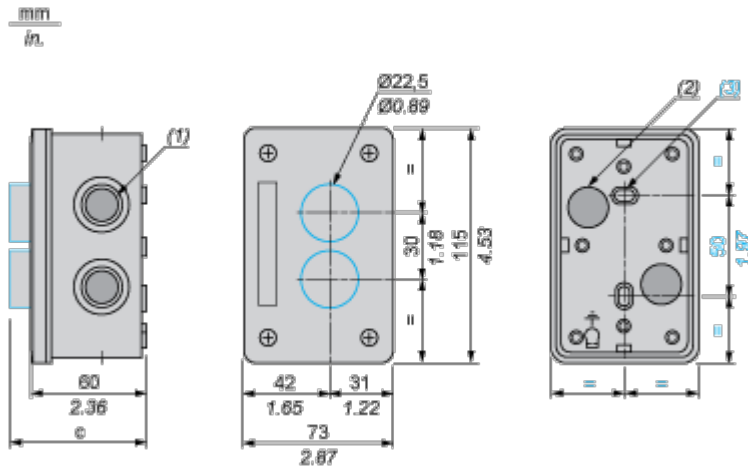
China Rohs Regulation [China RoHS declaration](#)

Environmental Disclosure [Product Environmental Profile](#)

Circularity Profile [End of Life Information](#)

Dimensions Drawings

Dimensions



- (1) 6 ISO 20 knock-outs.
- (2) 2 knock-outs for cable entry, maximum capacity 20 mm / 0.79 in.
- (3) 2 knock-out elongated fixing holes $\varnothing 3$ mm x 5 mm / $\varnothing 0.12$ in. x 0.20 in.

Control station XALE fitted with:	c in mm	c in in.
Flush pushbutton	69	2.72
Projecting pushbutton	71	2.79
Illuminated pushbutton	74.5	2.93
Pilot light	71	2.79
Emergency stop without key	89.5	3.52
Selector switch with standard handle	84.5	3.33
Key switch	100	3.94