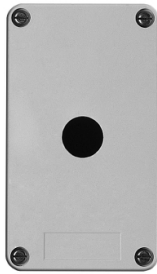


Product datasheet

Specifications



Harmony XAP. XB2 SL. Empty control station. plastic. grey. 1 cut-out. Ø22

XAPA1110

Price: 1,496.39 ZAR

Main

Range Of Product	Harmony XAP
Product Or Component Type	Empty control station without hinges
Device Short Name	XAPA
Product Destination	For Ø 22 mm control and signalling units
Product Front Plate Size	85 x 146 mm
Usable Depth	83 mm
Number Of Cut-Out	1 cut-out
Colour Of Base Of Enclosure	Grey
Colour Of Cover	Grey
Material	Glass reinforced polyester
Cable Entry	Undrilled
Device Mounting	Flush
Ip Degree Of Protection	IP65 conforming to IEC 60529 IP69 conforming to NF C 20-010 IP69K
Resistance To Chemical Agents	High resistant to acids High resistant to all solvents High resistant to bases High resistant to diesel High resistant to mineral salts High resistant to oils and greases High resistant to petrol High resistant to sea water

Complementary

Number Of Vertical Rows	1
Flame Retardance	M3 conforming to CSTB VO conforming to UL 94
Net Weight	0.45 kg

Environment

Protective Treatment	TH TC
Ambient Air Temperature For Storage	-40...70 °C
Ambient Air Temperature For Operation	-40...70 °C
Overvoltage Category	Class II conforming to IEC 60536 Class II conforming to NF C 20-030

Excluding VAT and subject to change. Please check with your local distributor through "Where to buy"

Fire Resistance	850 °C conforming to NF C 20-455 960 °C conforming to IEC 92
------------------------	-----------------------------------------------------------------

Packing Units

Unit Type Of Package 1	PCE
-------------------------------	-----

Number Of Units In Package 1	1
-------------------------------------	---

Package 1 Height	13.500 cm
-------------------------	-----------

Package 1 Width	9.000 cm
------------------------	----------

Package 1 Length	15.500 cm
-------------------------	-----------

Package 1 Weight	495.000 g
-------------------------	-----------

Unit Type Of Package 2	S03
-------------------------------	-----

Number Of Units In Package 2	12
-------------------------------------	----

Package 2 Height	30.000 cm
-------------------------	-----------

Package 2 Width	30.000 cm
------------------------	-----------

Package 2 Length	40.000 cm
-------------------------	-----------

Package 2 Weight	6.528 kg
-------------------------	----------

Unit Type Of Package 3	P06
-------------------------------	-----

Number Of Units In Package 3	96
-------------------------------------	----

Package 3 Height	75.000 cm
-------------------------	-----------

Package 3 Width	60.000 cm
------------------------	-----------

Package 3 Length	80.000 cm
-------------------------	-----------

Package 3 Weight	63.244 kg
-------------------------	-----------

Contractual warranty

Warranty	18 months
-----------------	-----------

Sustainability

Green Premium™ label is Schneider Electric's commitment to delivering products with best-in-class environmental performance. Green Premium promises compliance with the latest regulations, transparency on environmental impacts, as well as circular and low-CO₂ products.

Guide to assessing product sustainability is a white paper that clarifies global eco-label standards and how to interpret environmental declarations.

[Learn more about Green Premium >](#)

[Guide to assess a product's sustainability >](#)



Transparency RoHS/REACH

Well-being performance

Reach Free Of Svhc

Toxic Heavy Metal Free

Mercury Free

Rohs Exemption Information Yes

Certifications & Standards

Reach Regulation [REACH Declaration](#)

Eu Rohs Directive Pro-active compliance (Product out of EU RoHS legal scope)
[EU RoHS Declaration](#)

China Rohs Regulation [China RoHS declaration](#)

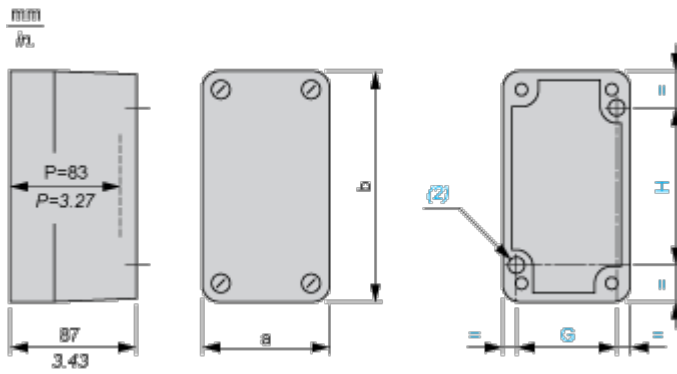
Environmental Disclosure [Product Environmental Profile](#)

Circularity Profile No need of specific recycling operations

Dimensions Drawings

Dimensions and Fixing

Refer to the product characteristics to get the number of cut-outs.



(2) 2 x Ø 5.6 mm/0.22 in. holes, depth 12 mm/0.47 in.

P Usable depth

a		b		G		H	
mm	in.	mm	in.	mm	in.	mm	in.
85	3.35	146	5.75	70	2.76	105	4.13