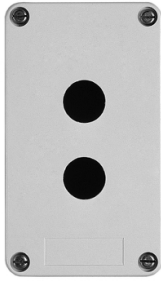


# Product datasheet

Specifications



Harmony XAP. XB2 SL. Empty control station. plastic. grey. 2 cut-outs. Ø22

XAPA1120

**Price: 1,496.39 ZAR**

## Main

|                               |  |
|-------------------------------|--|
| Range Of Product              | Harmony XAP  |
| Product Or Component Type     | Empty control station without hinges   |
| Device Short Name             | XAPA   |
| Product Destination           | For Ø 22 mm control and signalling units   |
| Product Front Plate Size      | 85 x 146 mm  |
| Usable Depth                  | 83 mm  |
| Number Of Cut-Out             | 4 cut-outs   |
| Colour Of Base Of Enclosure   | Grey   |
| Colour Of Cover               | Grey   |
| Material                      | Glass reinforced polyester   |
| Cable Entry                   | Undrilled  |
| Device Mounting               | Flush  |
| Ip Degree Of Protection       | IP65 conforming to IEC 60529<br>IP69 conforming to NF C 20-010<br>IP69K  |
| Resistance To Chemical Agents | High resistant to acids<br>High resistant to all solvents<br>High resistant to bases<br>High resistant to diesel<br>High resistant to mineral salts<br>High resistant to oils and greases<br>High resistant to petrol<br>High resistant to sea water |

## Complementary

|                         |   |
|-------------------------|---|
| Number Of Vertical Rows | 1   |
| Flame Retardance        | M3 conforming to CSTB<br>VO conforming to UL 94 |
| Net Weight              | 0.46 kg   |

## Environment

|                                       |  |
|---------------------------------------|--|
| Protective Treatment                  | TC<br>TH   |
| Ambient Air Temperature For Storage   | -40...70 °C  |
| Ambient Air Temperature For Operation | -40...70 °C  |
| Overvoltage Category                  | Class II conforming to IEC 60536<br>Class II conforming to NF C 20-030 |

Excluding VAT and subject to change. Please check with your local distributor through "Where to buy"

---

|                        |   |
|------------------------|---|
| <b>Fire Resistance</b> | 850 °C conforming to NF C 20-455<br>960 °C conforming to IEC 92 |
|------------------------|---|

## Packing Units

---

|                                     |           |
|-------------------------------------|-----------|
| <b>Unit Type Of Package 1</b>       | PCE       |
| <b>Number Of Units In Package 1</b> | 1         |
| <b>Package 1 Height</b>             | 13.500 cm |
| <b>Package 1 Width</b>              | 9.000 cm  |
| <b>Package 1 Length</b>             | 15.500 cm |
| <b>Package 1 Weight</b>             | 506.000 g |
| <b>Unit Type Of Package 2</b>       | S03       |
| <b>Number Of Units In Package 2</b> | 12        |
| <b>Package 2 Height</b>             | 30.000 cm |
| <b>Package 2 Width</b>              | 30.000 cm |
| <b>Package 2 Length</b>             | 40.000 cm |
| <b>Package 2 Weight</b>             | 6.520 kg  |
| <b>Unit Type Of Package 3</b>       | P06       |
| <b>Number Of Units In Package 3</b> | 96        |
| <b>Package 3 Height</b>             | 75.000 cm |
| <b>Package 3 Width</b>              | 60.000 cm |
| <b>Package 3 Length</b>             | 80.000 cm |
| <b>Package 3 Weight</b>             | 62.780 kg |

## Contractual warranty

---

|                 |           |
|-----------------|-----------|
| <b>Warranty</b> | 18 months |
|-----------------|-----------|

## Sustainability

**Green Premium™ label** is Schneider Electric's commitment to delivering products with best-in-class environmental performance. Green Premium promises compliance with the latest regulations, transparency on environmental impacts, as well as circular and low-CO<sub>2</sub> products.

**Guide to assessing product sustainability** is a white paper that clarifies global eco-label standards and how to interpret environmental declarations.

[Learn more about Green Premium >](#)

[Guide to assess a product's sustainability >](#)



Transparency RoHS/REACH

## Well-being performance

Reach Free Of Svhc

Toxic Heavy Metal Free

Mercury Free

Rohs Exemption Information Yes

## Certifications & Standards

**Reach Regulation** [REACH Declaration](#)

**Eu Rohs Directive** Pro-active compliance (Product out of EU RoHS legal scope)  
[EU RoHS Declaration](#)

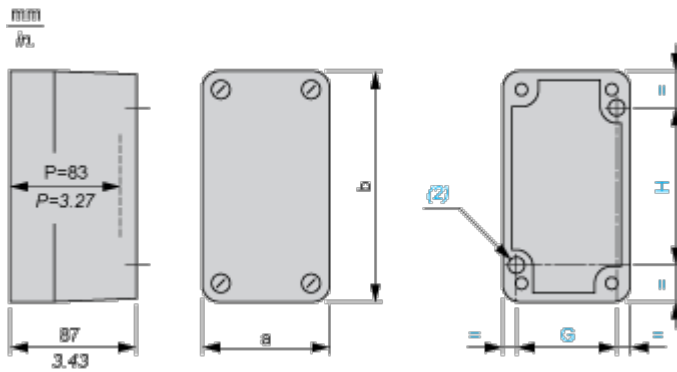
**China Rohs Regulation** [China RoHS declaration](#)

**Environmental Disclosure** [Product Environmental Profile](#)

**Circularity Profile** No need of specific recycling operations

Dimensions Drawings

Dimensions and Fixing



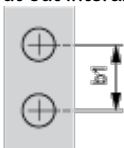
(2) 2 x Ø 5.6 mm/0.22 in. holes, depth 12 mm/0.47 in.

P Usable depth

| a  |      | b   |      | G  |      | H   |      |
|----|------|-----|------|----|------|-----|------|
| mm | in.  | mm  | in.  | mm | in.  | mm  | in.  |
| 85 | 3.35 | 146 | 5.75 | 70 | 2.76 | 105 | 4.13 |

Refer to the product characteristics to get the number of cut-outs.

Cut-out interaxis dimensions



b1 Vertical interaxis: 40 mm/1.57 in.