

Product datasheet

Specifications



Push to test pilot light. Harmony XB4. 24 V Amber

XB4BW28B5

Price: 917.21 ZAR

Main

Range Of Product	Harmony XB4
Product Or Component Type	Push-to-test pilot light
Device Short Name	XB4
Bezel Material	Metal

Complementary

Fixing Collar Material	Metal
Mounting Diamete	22.5 mm
Sale Per Indivisible Quantity	1
Height	42 mm
Width	30 mm
Depth	55 mm
Net Weight	0.09 kg
Resistance To High Pressure Washer	7000000 Pa at 55 °C, distance : 0.1 m
Embedding Depth	43 mm
Shape Of Signaling Unit Head	Round
Cap/Operator Or Lens Colour	Amber
Connections - Terminals	Screw clamp terminals, $\leq 2 \times 1.5 \text{ mm}^2$ with cable end conforming to IEC 60068-2-27 Screw clamp terminals, $1 \times 0.22...2 \times 2.5 \text{ mm}^2$ without cable end conforming to IEC 60068-2-27
Tightening Torque	0.8...1.2 N.m conforming to IEC 60947-1
[Ui] Rated Insulation Voltage	600 V (pollution degree 3) conforming to IEC 60947-1
[Uimp] Rated Impulse Withstand Voltage	6 kV conforming to IEC 60947-1
Signalling Type	Steady
Light Source	Universal LED
Light Source Colour	Amber
Current Consumption	18 mA
Service Life	1.5 year(s)
Surge Withstand	1 kV
[Us] Rated Supply Voltage	24 V AC/DC at 50/60 Hz

Environment

Excluding VAT and subject to change. Please check with your local distributor through "Where to buy"

Protective Treatment	TH
Ambient Air Temperature For Storage	-40...70 °C
Ambient Air Temperature For Operation	-40...70 °C
Overvoltage Category	Class II conforming to IEC 60536
Ip Degree Of Protection	IP66 conforming to IEC 60536 IP67 IP69 IP69K
Nema Degree Of Protection	NEMA 13 conforming to IEC 60529 NEMA 4X
Ik Degree Of Protection	IK05 conforming to IEC 50102
Standards	CSA C22.2 No 14 IEC 60947-1 IEC 60947-5-1 IEC 60947-5-4 GB 14048.5 JIS C8201-5-1 UL 508 JIS C8201-1
Product Certifications	BV GL UL listed CSA LROS (Lloyds register of shipping) DNV
Vibration Resistance	5 gn (f= 12...500 Hz) conforming to IEC 60068-2-6
Shock Resistance	30 gn (duration = 18 ms) for half sine wave acceleration conforming to IEC 60068-2-6 50 gn (duration = 11 ms) for half sine wave acceleration conforming to IEC 60068-2-6

Packing Units

Unit Type Of Package 1	PCE
Number Of Units In Package 1	1
Package 1 Height	8.6 cm
Package 1 Width	4.3 cm
Package 1 Length	5.2 cm
Package 1 Weight	100.0 g

Sustainability


Green Premium™ label is Schneider Electric's commitment to delivering products with best-in-class environmental performance. Green Premium promises compliance with the latest regulations, transparency on environmental impacts, as well as circular and low-CO₂ products.

Guide to assessing product sustainability is a white paper that clarifies global eco-label standards and how to interpret environmental declarations.

[Learn more about Green Premium >](#)

[Guide to assess a product's sustainability >](#)

Well-being performance

 Mercury Free

 Rohs Exemption Information [Yes](#)

Reach Regulation [REACH Declaration](#)

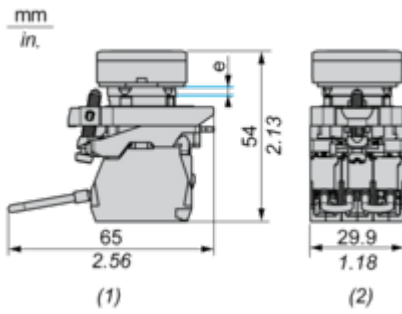
Eu Rohs Directive Compliant with Exemptions

China Rohs Regulation [China RoHS declaration](#)

Weee The product must be disposed on European Union markets following specific waste collection and never end up in rubbish bins

Dimensions Drawings

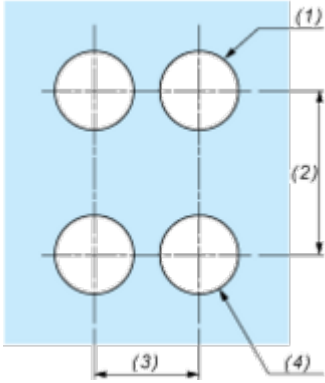
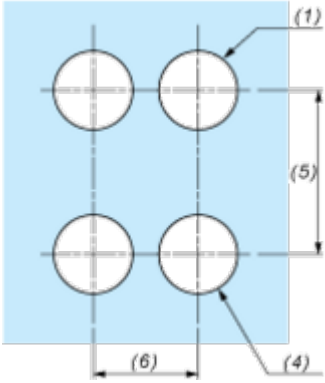
Dimensions



- e: Panel thickness: 1 mm to 6 mm / 0.04 in. to 0.24 in
- (1) Side view
- (2) Top view

Mounting and Clearance

Panel Cut-out for Pushbuttons, Switches and Pilot Lights (Finished Holes, Ready for Installation)

Connection by Screw Clamp Terminals	Connection by Faston Connectors
	
<p>(1) Diameter on finished panel or support (2) 40 mm min. / 1.57 in. min. (3) 30 mm min. / 1.18 in. min. (4) Ø 22.5 mm / 0.89 in. recommended (Ø 22.3 mm $^{+0.4}_0$ / 0.88 in. $^{+0.016}_0$) (5) 45 mm min. / 1.78 in. min. (6) 32 mm min. / 1.26 in. min.</p>	