

Product datasheet

Specifications



Harmony XB5. Complete potentiometer. plastic. Ø22. 47K

XB5AD912R47K

Price: 1,528.67 ZAR

Main

| | |
|---------------------------|------------------|
| Range Of Product | Harmony XB5 |
| Product Or Component Type | Potentiometer |
| Device Short Name | XB5 |
| Head Type | Standard |
| Device Presentation | Complete product |

Complementary

| | |
|---------------------------------------|---|
| Bezel Material | Dark grey plastic |
| Mounting Diamete | 22 mm |
| Product Compatibility | Ø 6 mm shaft |
| Sale Per Indivisible Quantity | 1 |
| Cad Overall Width | 30 mm |
| Cad Overall Height | 42 mm |
| Cad Overall Depth | 82 mm |
| Net Weight | 0.048 kg |
| Protective Treatment | TH |
| Ambient Air Temperature For Storage | -40...70 °C |
| Ambient Air Temperature For Operation | -40...70 °C |
| Electrical Shock Protection Class | Class II conforming to IEC 60536 |
| Ip Degree Of Protection | IP66 conforming to IEC 60529 |
| Nema Degree Of Protection | NEMA 13 NEMA 4X |
| Resistance To High Pressure Washer | 7000000 Pa at 55 °C, distance : 0.1 m |
| Ik Degree Of Protection | IK03 conforming to IEC 50102 |
| Standards | CSA C22.2 No 14 EN/IEC 60947-1 UL 508 |
| Product Certifications | CSA BV UL listed |
| Shape Of Signaling Unit Head | Round |
| Operator Profile | knurled knob, with (white) |
| [Us] Rated Supply Voltage | <= 30 V AC <= 42 V DC |

Excluding VAT and subject to change. Please check with your local distributor through "Where to buy"

| | |
|--|--|
| Rated Power In W | 1 W at 70 °C |
| Precision Of Internal Conversion Resistor | +/-10% |
| Potentiometer Characteristic | Linear |
| Mechanical Durability | 50000 cycles |
| Ohmic Value | 47000 Ohm |
| Material | Cermet |
| Vibration Resistance | 5 gn (f= 2...500 Hz) conforming to IEC 60068-2-6 |
| Shock Resistance | 30 gn (duration = 18 ms) for half sine wave acceleration conforming to IEC 60068-2-27 50 gn (duration = 11 ms) for half sine wave acceleration conforming to IEC 60068-2-27 |
| Main Group | Potentiometer |
| Group Of Product | Potentiometer knurled knob |
| Colour Of Marking | White |

Packing Units

| | |
|-------------------------------------|----------|
| Unit Type Of Package 1 | PCE |
| Number Of Units In Package 1 | 1 |
| Package 1 Height | 8.4 cm |
| Package 1 Width | 5.4 cm |
| Package 1 Length | 4.0 cm |
| Package 1 Weight | 58.0 g |
| Unit Type Of Package 2 | S02 |
| Number Of Units In Package 2 | 40 |
| Package 2 Height | 15.0 cm |
| Package 2 Width | 30.0 cm |
| Package 2 Length | 40.0 cm |
| Package 2 Weight | 2.699 kg |

Sustainability

Green Premium™ label is Schneider Electric's commitment to delivering products with best-in-class environmental performance. Green Premium promises compliance with the latest regulations, transparency on environmental impacts, as well as circular and low-CO₂ products.

Guide to assessing product sustainability is a white paper that clarifies global eco-label standards and how to interpret environmental declarations.

[Learn more about Green Premium >](#)

[Guide to assess a product's sustainability >](#)



RoHS/REACH

Well-being performance

Reach Free Of Svhc

Mercury Free

Rohs Exemption Information Yes

Certifications & Standards

Reach Regulation [REACH Declaration](#)

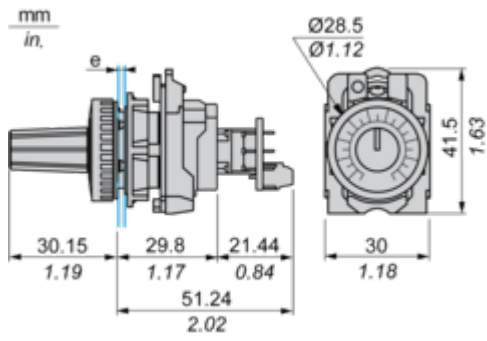
Eu Rohs Directive Pro-active compliance (Product out of EU RoHS legal scope)
[EU RoHS Declaration](#)

China Rohs Regulation [China RoHS declaration](#)

Weee The product must be disposed on European Union markets following specific waste collection and never end up in rubbish bins

Dimensions Drawings

Dimensions

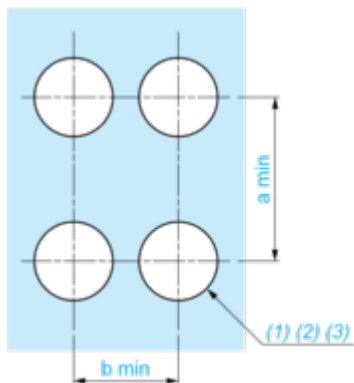


e: Panel thickness: 1 mm to 6 mm / 0.03 in. to 0.24 in.

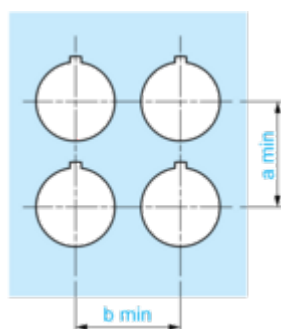
Mounting and Clearance

Panel Cut-out for Pushbuttons, Switches and Pilot Lights (Finished Holes, Ready for Installation)

Connection by Screw Terminals or Plug-in Connectors

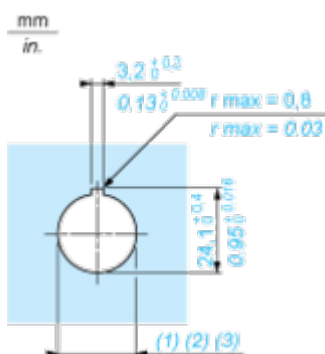


Connection by Faston Connectors



| Connections | a in mm | a in in. | b in mm | b in in. |
|---|---------|----------|---------|----------|
| By screw clamp terminals or plug-in connector | 40 | 1.57 | 30 | 1.18 |
| By Faston connectors | 45 | 1.77 | 32 | 1.26 |

Detail of Lug Recess



- (1) Diameter on finished panel or support
- (2) For selector switches and Emergency stop buttons, use of an anti-rotation plate type ZB5AZ902 is recommended.
- (3) Ø22.5 mm recommended (Ø22.3^{+0.4}) / Ø0.89 in. recommended (Ø0.88 in.^{+0.016})

