

# Product datasheet

Specifications



Harmony XB5S. Biometric switch bistable RGPD. plastic. Ø22. connection by M12 connector. 24 V AC/DC

XB5S6B2M12

**Price: 10,026.26 ZAR**

## Main

|                               |   |
|-------------------------------|---|
| Product Or Component Type     | Biometric switch RGPD   |
| Product Specific Application  | Industrial machines<br>Materials handling   |
| Device Short Name             | XB5S  |
| Bezel Material                | Plastic   |
| Mounting Diamete              | 22 mm   |
| Output Type                   | PNP   |
| Sale Per Indivisible Quantity | 1   |
| Ip Degree Of Protection       | IP20 (rear face) conforming to EN/IEC 60529<br>IP65 (front face) conforming to EN/IEC 60529 |
| Type Of Operator              | Stay put  |
| Operator Position Information | 2 positions   |
| Operator Profile              | fingerprint reader  |
| Memory Usage                  | 200 users with up to 2 fingerprints per user  |

## Complementary

|                           |   |
|---------------------------|---|
| Enclosure Material        | Polyamide PA66  |
| Cable Insulation Material | PvR   |
| Operating Position        | Horizontal position<br>Flat surface installation<br>Vertical surface installation   |
| Function Of Module        | Bi-stable   |
| Net Weight                | 0.183 kg  |
| Marking                   | CE  |
| Local Signalling          | 1 LED (green) for output state indicator<br>1 LED (orange) for administrator's registration mode<br>1 LED (orange) for operator's registration mode<br>1 LED (red) for error<br>1 LED (red) for reset |
| Short-Circuit Protection  | 250 mA external fuse type gG  |
| [Us] Rated Supply Voltage | 24 V DC   |
| Electrical Connection     | M12 connector of 0.2 mm   |
| Supply Voltage Limits     | 20...30 V DC  |

Excluding VAT and subject to change. Please check with your local distributor through "Where to buy"

|                                  |  |
|----------------------------------|--|
| <b>Protection Type</b>           | Reverse polarity<br>Overload protection<br>Short-circuit |
| <b>Maximum Switching Current</b> | 200 mA   |
| <b>[Ures] Residual Voltage</b>   | 1 V closed state   |
| <b>Current Consumption</b>       | <= 70 mA no-load   |
| <b>Maximum Delay First Up</b>    | 3 s + 0.5 ms per user registered                         |
| <b>Maximum Delay Recovery</b>    | 1.5 s  |
| <b>Maximum Delay Response</b>    | 1.5 s  |

## Environment

|  |  |
|--|--|
| <b>Range Of Product</b>                      | Harmony XB5S   |
| <b>Ambient Air Temperature For Storage</b>   | -25...70 °C  |
| <b>Ambient Air Temperature For Operation</b> | -5...50 °C   |
| <b>Nema Degree Of Protection</b>             | NEMA 12  |
| <b>Standards</b>                             | IEC 61000-6-4<br>IEC 61000-6-2   |
| <b>Product Certifications</b>                | CSA<br>UL  |
| <b>Vibration Resistance</b>                  | +/- 3 mm (f= 5...9 Hz) conforming to IEC 60068-2-6<br>1 gn (f= 9...500 Hz) conforming to IEC 60068-2-6 |
| <b>Shock Resistance</b>                      | 50 gn 11 ms conforming to IEC 60068-2-27   |

## Packing Units

|                                     |         |
|-------------------------------------|---------|
| <b>Unit Type Of Package 1</b>       | PCE     |
| <b>Number Of Units In Package 1</b> | 1       |
| <b>Package 1 Height</b>             | 9.5 cm  |
| <b>Package 1 Width</b>              | 6.7 cm  |
| <b>Package 1 Length</b>             | 18.4 cm |
| <b>Package 1 Weight</b>             | 160 g   |
| <b>Unit Type Of Package 2</b>       | S02     |
| <b>Number Of Units In Package 2</b> | 8       |
| <b>Package 2 Height</b>             | 15 cm   |
| <b>Package 2 Width</b>              | 30 cm   |
| <b>Package 2 Length</b>             | 40 cm   |
| <b>Package 2 Weight</b>             | 1.61 kg |

## Contractual warranty

|                 |           |
|-----------------|-----------|
| <b>Warranty</b> | 18 months |
|-----------------|-----------|

## Sustainability


**Green Premium™ label** is Schneider Electric's commitment to delivering products with best-in-class environmental performance. Green Premium promises compliance with the latest regulations, transparency on environmental impacts, as well as circular and low-CO<sub>2</sub> products.

**Guide to assessing product sustainability** is a white paper that clarifies global eco-label standards and how to interpret environmental declarations.

[Learn more about Green Premium >](#)

[Guide to assess a product's sustainability >](#)

## Well-being performance

 Mercury Free

 Rohs Exemption Information [Yes](#)

**Reach Regulation** [REACH Declaration](#)

**Eu Rohs Directive** Compliant with Exemptions

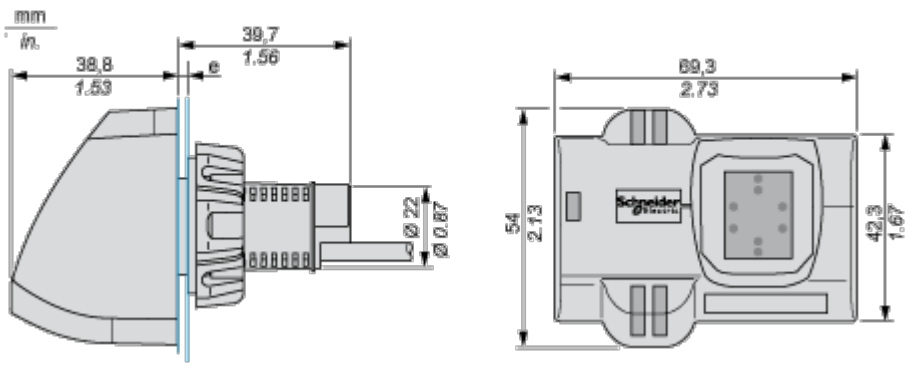
**China Rohs Regulation** [China RoHS declaration](#)

**Weee** The product must be disposed on European Union markets following specific waste collection and never end up in rubbish bins

Dimensions Drawings

Dimensions of Biometric Switches

---



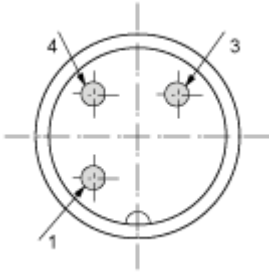
e: 1 to 6 mm / 0.04 to 0.24 in.

Connections and Schema

**M12 Connector**

---

**M12 connector**



- 1 : (+)
- 3 : (-)
- 4 : Output