

Product datasheet

Specifications



Harmony XB5S. Biometric switch bistable RGPD. plastic. Ø22. USB. connection by M12 connector. 24 V AC/DC

XB5S8B2M12

Price: 11,537.06 ZAR

Main

Product Or Component Type	Biometric switch RGPD
Product Specific Application	Industrial machines Materials handling
Device Short Name	XB5S
Bezel Material	Plastic
Mounting Diamete	22 mm
Output Type	PNP
Sale Per Indivisible Quantity	1
Ip Degree Of Protection	IP20 (rear face) conforming to IEC 60529 IP65 (front face) conforming to IEC 60529
Type Of Operator	Stay put
Operator Position Information	2 positions
Operator Profile	fingerprint reader
Memory Usage	200 users with up to 2 fingerprints per user

Complementary

Software Designation	XB5SSoft
Enclosure Material	Polyamide PA66
Cable Insulation Material	PvR
Operating Position	Flat surface installation Horizontal position Vertical surface installation
Function Of Module	Bi-stable
Net Weight	0.215 kg
Marking	CE
Port Protocol	USB
Connector Type	USB type A male with 1 m cable
Local Signalling	1 LED (green) for output state indicator 1 LED (red) for error
Short-Circuit Protection	250 mA external fuse type gG
[Us] Rated Supply Voltage	24 V DC
Electrical Connection	M12 connector of 0.2 m
Supply Voltage Limits	20...30 V DC

Excluding VAT and subject to change. Please check with your local distributor through "Where to buy"

Protection Type	Short-circuit Overload protection Reverse polarity
Maximum Switching Current	200 mA
[Ures] Residual Voltage	1 V closed state
Current Consumption	<= 70 mA no-load
Maximum Delay First Up	3 s + 0.5 ms per user registered
Maximum Delay Recovery	1.5 s
Maximum Delay Response	1.5 s

Environment

Range Of Product	Harmony XB5S
Ambient Air Temperature For Storage	-25...70 °C
Ambient Air Temperature For Operation	-5...50 °C
Nema Degree Of Protection	NEMA 12
Standards	IEC 61000-6-2 IEC 61000-6-4
Product Certifications	CSA UL
Vibration Resistance	+/- 3 mm (f= 5...9 Hz) conforming to IEC 60068-2-6 1 gn (f= 9...500 Hz) conforming to IEC 60068-2-6
Shock Resistance	50 gn 11 ms conforming to IEC 60068-2-27

Packing Units

Unit Type Of Package 1	PCE
Number Of Units In Package 1	1
Package 1 Height	6.6 cm
Package 1 Width	9.5 cm
Package 1 Length	18.4 cm
Package 1 Weight	190.0 g

Contractual warranty

Warranty	18 months
-----------------	-----------

Sustainability


Green Premium™ label is Schneider Electric's commitment to delivering products with best-in-class environmental performance. Green Premium promises compliance with the latest regulations, transparency on environmental impacts, as well as circular and low-CO₂ products.

Guide to assessing product sustainability is a white paper that clarifies global eco-label standards and how to interpret environmental declarations.

[Learn more about Green Premium >](#)

[Guide to assess a product's sustainability >](#)

Well-being performance

 Mercury Free

 Rohs Exemption Information [Yes](#)

Reach Regulation [REACH Declaration](#)

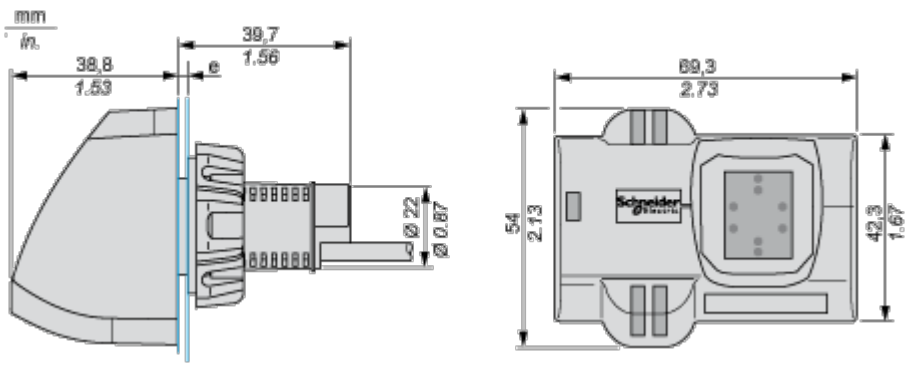
Eu Rohs Directive Compliant with Exemptions

China Rohs Regulation [China RoHS declaration](#)

Weee The product must be disposed on European Union markets following specific waste collection and never end up in rubbish bins

Dimensions Drawings

Dimensions of Biometric Switches

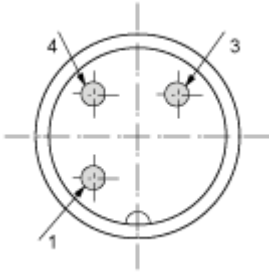


e: 1 to 6 mm / 0.04 to 0.24 in.

Connections and Schema

M12 Connector

M12 connector



- 1 : (+)
- 3 : (-)
- 4 : Output