

# Product datasheet

Specifications



Harmony XB5S. Biometric switch monostable RGPD. plastic. Ø22. USB. connection by M12 connector. 24 V AC/DC

XB5S9B2M12

**Price: 11,537.06 ZAR**

## Main

Product Or Component Type	Biometric switch RGPD
Product Specific Application	Industrial machines
Device Short Name	XB5S
Bezel Material	Plastic
Mounting Diamete	22 mm
Output Type	PNP
Sale Per Indivisible Quantity	1
Ip Degree Of Protection	IP20 (rear face) conforming to EN/IEC 60529
Type Of Operator	Momentary
Operator Profile	fingerprint reader
Memory Usage	200 users with up to 2 fingerprints per user

## Complementary

Software Designation	XB5SSoft
Enclosure Material	Polyamide PA66
Cable Insulation Material	PvR
Operating Position	Flat surface installation
Function Of Module	Monostable
Net Weight	0.215 kg
Marking	CE
Port Protocol	USB
Connector Type	USB type A male with 1 m cable
Local Signalling	1 LED (green) for output state indicator
Short-Circuit Protection	250 mA external fuse type gG
[Us] Rated Supply Voltage	24 V DC
Electrical Connection	M12 connector of 0.2 m
Supply Voltage Limits	20...30 V DC
Protection Type	Overload protection
Maximum Switching Current	200 mA
[Ures] Residual Voltage	1 V closed state
Current Consumption	<= 70 mA no-load

Excluding VAT and subject to change. Please check with your local distributor through "Where to buy"

<b>Maximum Delay First Up</b>	3 s + 0.5 ms per user registered
<b>Maximum Delay Recovery</b>	1.5 s
<b>Maximum Delay Response</b>	1.5 s

## Environment

<b>Range Of Product</b>	Harmony XB5S
<b>Ambient Air Temperature For Storage</b>	-25...70 °C
<b>Ambient Air Temperature For Operation</b>	-5...50 °C
<b>Nema Degree Of Protection</b>	NEMA 12
<b>Standards</b>	IEC 61000-6-2
<b>Product Certifications</b>	UL
<b>Vibration Resistance</b>	+/- 3 mm (f= 5...9 Hz) conforming to IEC 60068-2-6
<b>Shock Resistance</b>	50 gn 11 ms conforming to IEC 60068-2-27

## Packing Units

<b>Unit Type Of Package 1</b>	PCE
<b>Number Of Units In Package 1</b>	1
<b>Package 1 Height</b>	6.6 cm
<b>Package 1 Width</b>	9.5 cm
<b>Package 1 Length</b>	18.4 cm
<b>Package 1 Weight</b>	189.0 g

## Contractual warranty

<b>Warranty</b>	18 months
-----------------	-----------

## Sustainability

**Green Premium™ label** is Schneider Electric's commitment to delivering products with best-in-class environmental performance. Green Premium promises compliance with the latest regulations, transparency on environmental impacts, as well as circular and low-CO<sub>2</sub> products.

**Guide to assessing product sustainability** is a white paper that clarifies global eco-label standards and how to interpret environmental declarations.

[Learn more about Green Premium >](#)

[Guide to assess a product's sustainability >](#)

---

**Eu Rohs Directive**

Under investigation

---

**Weee**

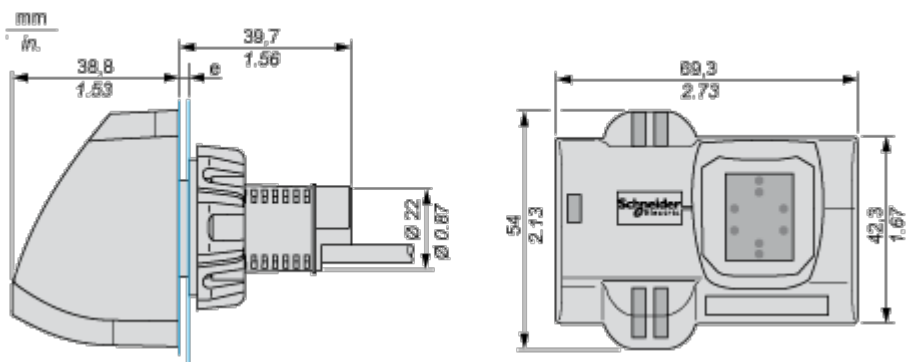
The product must be disposed on European Union markets following specific waste collection and never end up in rubbish bins

---

Dimensions Drawings

Dimensions of Biometric Switches

---



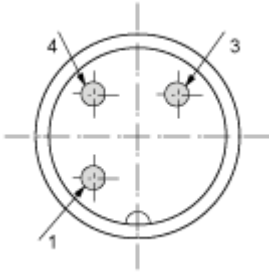
e: 1 to 6 mm / 0.04 to 0.24 in.

Connections and Schema

**M12 Connector**

---

**M12 connector**



- 1 : (+)
- 3 : (-)
- 4 : Output