

产品规格/承认书

PRODUCT SPECIFICATION / APPROVAL SHEET

客户 CUSTOMER:

杰晟型号 JASONFAN MODEL NO.: FJ14532MABT

马达规格 MOTOR SPECIFICATION : M2E07203-AF

客户型号 CUSTOMER MODEL NO.:



本承认书内容若贵公司确认无误，
恳请于下方承认栏内签章寄回。
Please confirm your acceptance of this
approval sheet by return fax.

承认栏
CONFIRMATION SIGNATURE

温州杰晟风扇制造有限公司
WENZHOU JASON FAN
MANUFACTURER CO.LTD

浙江省乐清市兴湖路 98 号
NO.98 Xinghu Road Yueqing,Zhejiang,China
Tel:+86-577-55775657
Fax:+86-577-61521177
E-mail:jasonfan@jasonfan.cn

SPEC NO.编号	JSAC145M2-001
Issue Date 初审日期	06/12/2024
Edition 编辑人员	4
Revised Date 复审日期	06/12/2024

MAKE	CHECKED	REVIEW	APPROVED
王相仕	林令丰	赵佰可	郑林森

A. 一般规格 (General Specification)

项 目(Item)		规格 / 条件(Specification / Condition)		
01	型号(Part No.)	FJ14532MABT		
02	电机结构 (Motor Structure)	电容启动外转子感应电机 (Motor with external rotor inducted by a running capacitor)		
03	外型尺寸(Outline Dimension)	172X150X38.8 mm		
04	额定电压(Rated Voltage)	AC 230 V		
05	额定频率(Rated Frequency)	50Hz / 60Hz		
06	额定电流(Rated Current)	0.13/0.125A		
07	起动电容 (Starting Capacitance)	1.0μF/450VDB		
08	使用电压范围(Voltage Range)	AC 110V ~ AC 245 V	a. 额定电压(Rated Voltage) d. 25 °C c. 65 % RH d. 自由出风(Free outlet of air) e. Measured after 5 min.	
09	50Hz 输出功率 (50Hz OutputPower)			
10	50Hz 功率因素 (Power Factor)	0.981/0.997(PF)		
11	50Hz 输入功率(50Hz InputPower)	30 W		±5%
12	60Hz 输入功率(60Hz InputPower)	29W		
13	50Hz 转速(50Hz Speed)	2800 RPM		±10%
14	60Hz 转速(60Hz Speed)	3300 RPM		
15	最大风量(Max. Airflow)	184/225 CFM	a. 额定电压(Rated Voltage) b. 标准(Standard):AMCA c. 额定电流(Rated Current)	
		314/382 m3/h		
16	最大静压(Max. Static Pressure)	0.44/0.72 in-H2O	c. 额定电流(Rated Current)	
		110/180Pa		
17	最大噪音(Max.Noise)	51/55dB(A)	a. 额定电压(Rated Voltage)	
			b. 静音室(Non-Echo Chamber)	
			c. 标准(Standard): CNS 8753 / ISO 3744	
			d. 距离(Distance): 1.0 M	
18	电机使用寿命(Motor Life)	平均 60000/h hrs at 25°C	a. 额定电压(Rated Voltage) b. 65 % RH	
19	电容器寿命(Capacitor Life)	平均 40000/h hrs at 70°C		
20	极数(No. of Pole)	2 极(Poles)		
21	旋转方向(Rotation Direction)	顺时针(Clockwise)		

B. 电器规格 (Electrical Specification)

项 目(Item)		规格 / 条件(Specification / Condition)	
01	制造标准 (Manufacture Standard)	GB12350、EN 60335、JBT 4270 、 JB 8588	
02	电机保护形式 (Type of protection for motor)	电机内部带自动恢复热保护器, 切断温度 165°C (Motor Internal with automatic recovery thermal protector, thermal temperature cut at 165°C)	
03	绝缘系统 (Insulation System)	按 IEC61858 F 级设计, 线圈允许最高温度 180°C (design according to IEC61858 Grade F, allowed Max. temperature of winding: 180°C)	
04	绝缘阻抗 (Impedance protection)	DC500V 电阻表测量可达到 200MΩ 以上 (Over 200 Mega Ohm tested by a resistor at DC 500V)	
05	防护等级 (Protection Grade)	IP 44	

C. 安全规格 (Safety Approvals)

安规(Safety)	CCC	CE	RoHS
安规编号(File No.)	Q 0510333	YT 07075527	SHG 2007111902

D. 主要材料/零件规格 (Main Materials / Parts Specification)

项 目(Item)	规格 / 条件(Specification / Condition)
01 外壳 (Frame)	铸造铝合金 ADC12 压铸成型，表面黑色电泳处理。 (ADC 12 Aluminium alloy die-casting, Surface black electrophoretic treatment)
02 风叶 (Impeller)	金属钢板冲压成型，叶片直接焊接在电机转上表面黑色电泳防腐处理。 (Pressed from metal armor plate, impellers are welded to motor rotor directly, surface is finished by black electrophoresis to be anti-corrosion)
03 线圈骨架 (Coil frame)	尼龙 PA66 厚度为h的燃烧性 V-0 (Nylon PA66 Fhickness H Flame-retardant V-0)
04 轴承 (Bearing)	免更换滚珠轴承 (maintain-free NMB ball bearing)
05 引线 (Lead wire)	UL 3266 18#
06 接线方式 (Wiring method)	插片
07 重量 (Weight)	0.74kg

E. 适用条件与范围 (Application Conditions And Range)

项 目(Item)	规格 / 条件(Specification / Condition)
01 运行温 / 湿度范围 (Operation Temperature/Humidity)	温度 (Temperature) -40 °C—80 °C
	湿度 (Humidity) 10%—95%
02 贮藏温 / 湿度范围 (Storing Temperature/Humidity)	温度 (Temperature) -40 °C—90 °C
	湿度 (Humidity) 10%—95%

a. 非凝结状态 (Non-condensing condition)
d. 25 °C

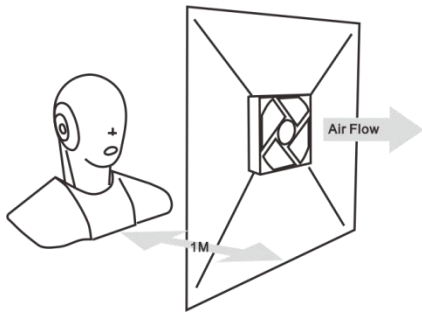
F. 单相电容电机接线方式图 (Single Phase Capacitor Motor Wiring Diagram)



G. 商标 (Label Marking)

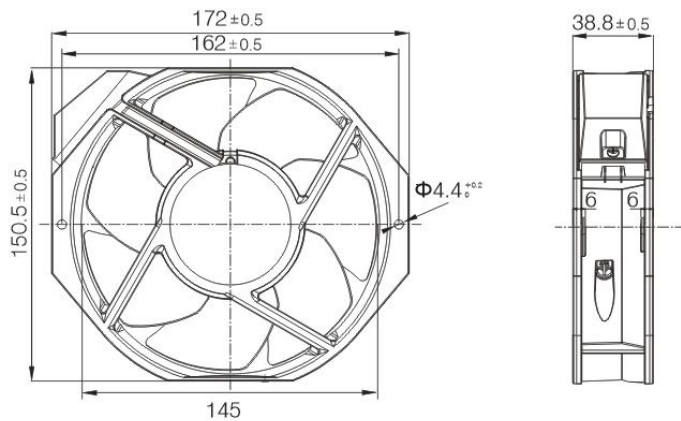


H. 噪音测量条件 (Noise Measure Condition)

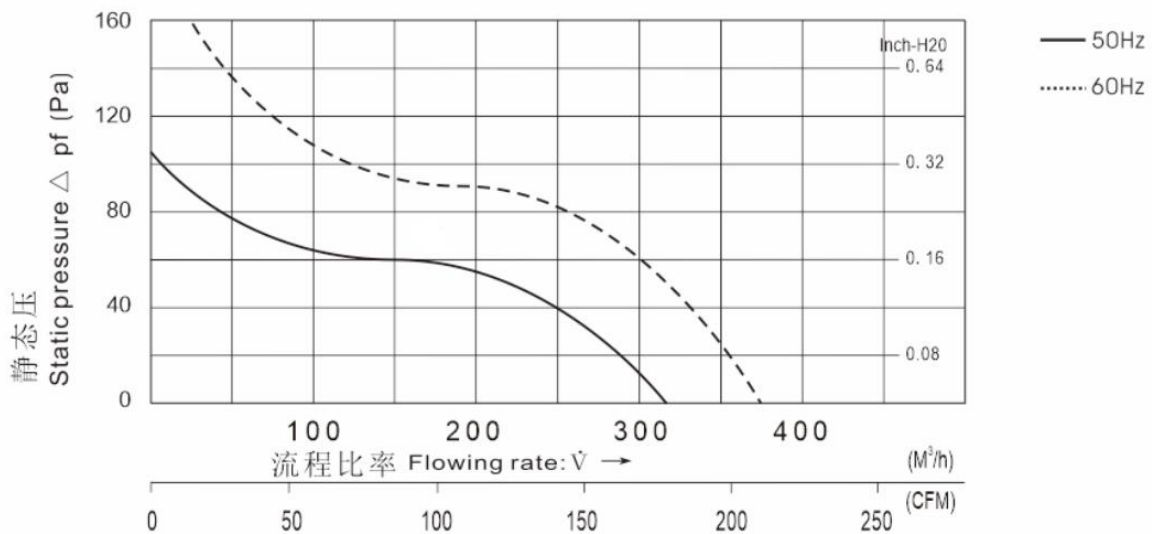


- | |
|--|
| 1. 24dB (A) 静音室 (24dB (A) Sound off room) |
| 2. 数字分贝测量系统 (Digital Decibel Measuring System) |
| 3. 移动分析系统 (Mobile Analyze System) |
| 4. 标准: (Standard) ISO 3744, CNS 8753, |

I. 外观尺寸图 (Outline Dimension)



J. 风量特性图 (Airflow curve chart)



K. 产品代号说明 (General Model Note)

FJ	145	3	2	M	A	B	T
风扇类型 Fan Type	风叶尺寸 Blade size	外框厚度 Thickness of Frame	电压 Input Voltage	金属风叶 Metal Impeller	铝合金外壳 Aluminium Frame	滚珠轴承 Ball Bearing	插片 Insert Piece

备注 (REMARKS)

1. 电气参数和运行时的环境有关，以上数值仅为参考标准，来源于标准环境下的试验测试。
(Electrical parameters measured under standard environment are for reference only, which are related with operation environment.)
2. 如参数有异常或偏差，要提交书面请求，由杰晟审批。
(A written report should be submitted to JASON FAN for approval if specifications are abnormal and deviation.)
3. 寿命测试是统计法下的一个推论值，不同于产品保证期。
(Life test is a deductive figure under statistical method and it is different from product warranty.)
4. 安装风扇时要采取必要的预防措施。推荐使用网罩，以避免人员受伤。
(Take necessary precaution when installing fans. Finger guards are recommended to prevent personal injury.)
5. 按照产品上标示的接线方式接入相应的电源，并正确连接接地线端，风扇运转风叶为逆时针。
(Connect the fan to power and ground according to the wiring diagram indicated in the fan. The direction of the air is counter-clockwise seeing from front impellers.)
6. 标准环境下电容寿命 30000h, 风扇运行转速有异常, 进行电容分析。
(The lifetime of capacitor is 30000h under standard environment; the capacitor analysis should be done if the speed is abnormal when running.)
7. 风扇运行后有异常噪音，请将异常样品寄给杰晟做分析。
(If abnormal sound caused after fan running, please send abnormal samples to JASON FAN for analyze.)
8. 产品在运转时不可将异物或人手伸入风叶运转范围内，安全安装后，确保风扇开始运转前风叶的转动是自由无阻的。
(Don't drop any foreign matter into the fan, or touch the impeller by hand; after safty installation, make sure that the fan rotation is unhindered and free before running.)
9. 风扇储存在干燥通风处。湿度不能过高对产品有害。
(Fans are to be stored in a dry and cool place. High levels of humidity are harmful to products.)
10. 不是很适合腐蚀环境，煤矿井下。液体，气体，煤尘等。
(Don't bring the fans to corrosive and mine environments, including liquids, gases, or coal dust.)
11. 请小心。杰晟对由于风扇安装错误而引起的过度共振，震动，造成质量问题不负责任。
(Please noted that JASON FAN is not responsible for any quality issues such as excess resonance and vibration caused by incorrect mounting of fans.)

如果型号代码或性能改变, 以上文件应及时更新

The above document should be updated in time when Model code or performance changes.