

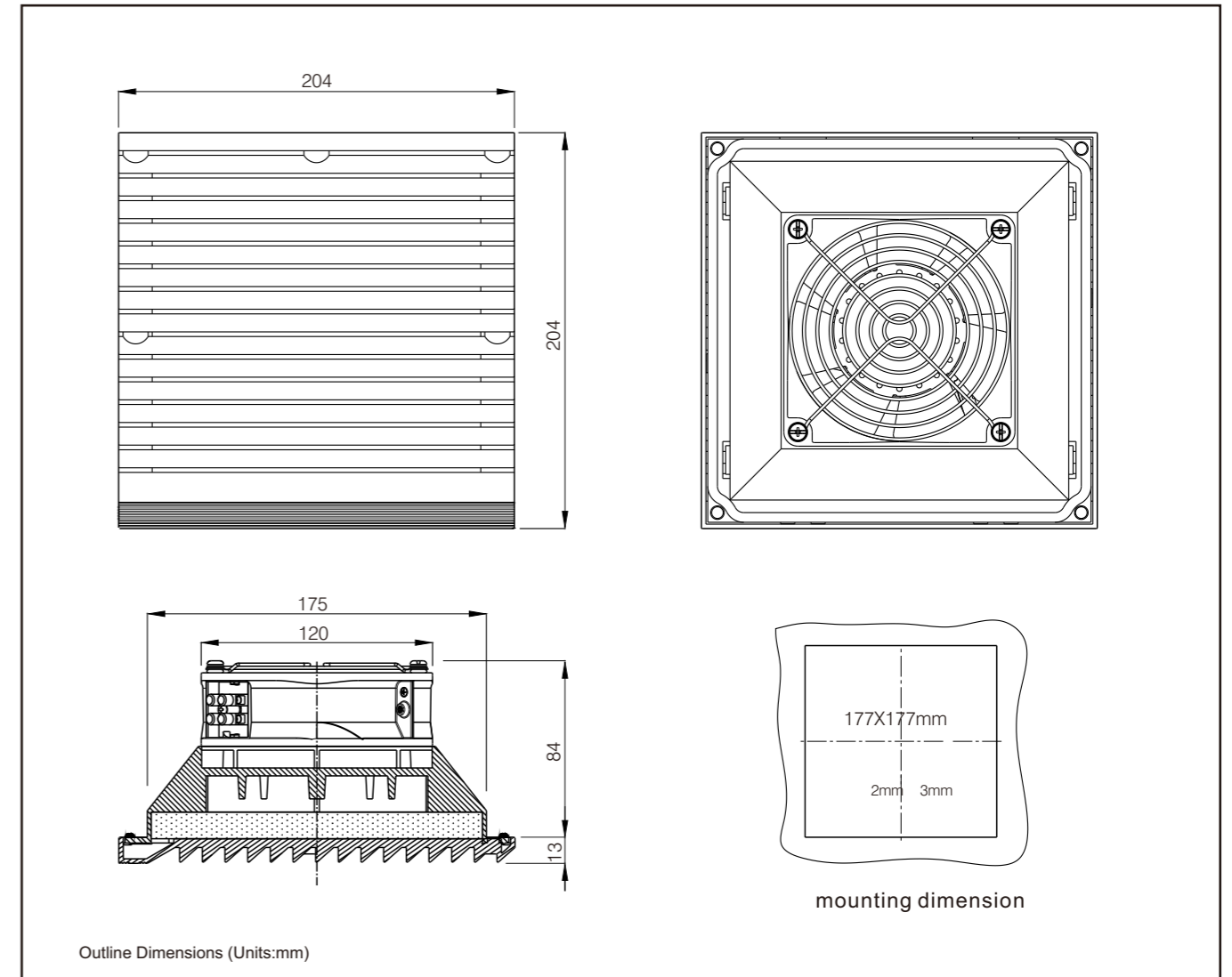


**Characteristics:**

- ① It comprises of a axial fan, a protective housing on the front and rear surfaces and filter designed to retain dust particles.
- ② The filters that equip the fans must be cleaned and replaced regularly.
- ③ It can produce all kinds of flame retardant V0 grade material and filter panel.
- ④ Material of filter pad: 100g/ M3 nylon fiber compound, Filtration efficiency up to 73%.
- ⑤ Operation Temperature/Humidity Range: (under unconcretionary state) -20°C ~ +70°C (temperature), 0% ~ 95% (himidity)
- ⑥ RAL 7035 grey is the standard offer with the possibility to change to RAL 7032 by means of a replacement grille.
- ⑦ Bear in mind the pressure losses caused by the outlet element (grille with filter, ventilation louvre or simple opening) when determining the fan flow rate.
- ⑧ Protection class: E N 60 5 29 IP 5 4 (not suitable for outdoor equipment).

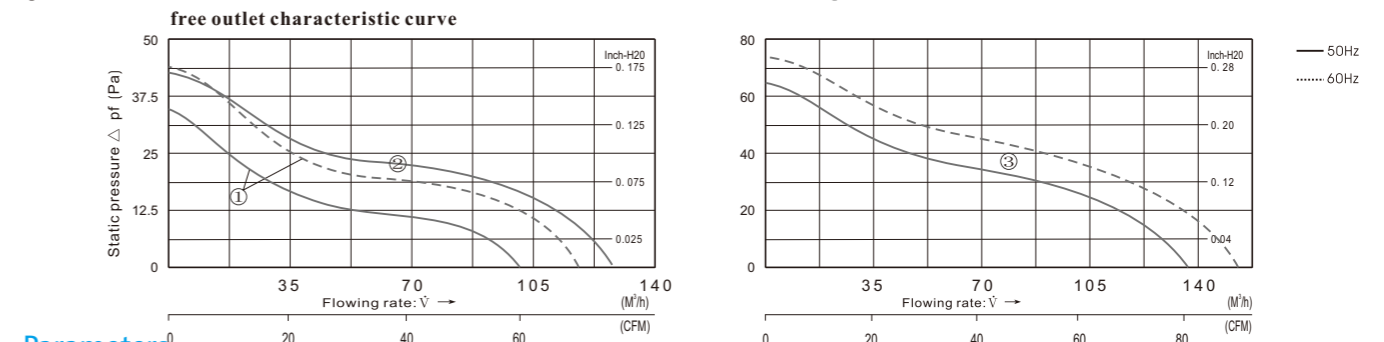
- ①
- ②
- ③
- ④
- ⑤
- ⑥
- ⑦
- ⑧

V0  
100g/ M3 70 %  
/  
0%~95%  
RAL7035 RAL7032  
E N 60 5 29 IP 5 5



- Ⓐ installation: No need of screw, snap-in installation
- Ⓑ Power connection: Terminal connection (wire connection)
- Ⓒ With seal ring
- Ⓓ Maximum weight: 783g

- Ⓐ
- Ⓑ
- Ⓒ
- Ⓓ 783g



**Parameters**

Type	Fan Model	Rated Voltage	Speed	Frequency	current	Power	Max Air Flow	Static Pressure	Noise Curve	external dimensions
		V	V	Hz	(A)	(W) <sub>10% 20%</sub>	m3/h	(Pa)	(dB)	(mm)
FJK6623PB115	FJ12031AB	115 AC	75...125	50	0.24	18	102	35	32	204x204x105
FJK6623PB230	FJ12032AB	230 AC	150...250	50	0.12	19	102	35	32	
FJK6623M230	FJ12032MAB	230 AC	110...250	60	0.10	14	119	44	35	
FJK6623PB12	FJ12038PB12	12 DC	6...13.8	50	0.12	18	135	65	36	
FJK6623PB24	FJ12038PB24	24 DC	10...27.5	60	0.10	16	150	75	38	
					0.55	6.60	126	42	36	
					0.31	7.44	126	42	36	